

TAGARNO

seeing solutions

MAGNUS HD TREND



MAGNUS HD TREND is the latest
magnification system from
TAGARNO

It combines superb HD image quality
with the magnification features of
a microscope

MAGNUS HD TREND

Adapted for the following processes



Assembly of products

Manual optical inspection

Repair and rework

Quality control

Non-contact 2D measurements

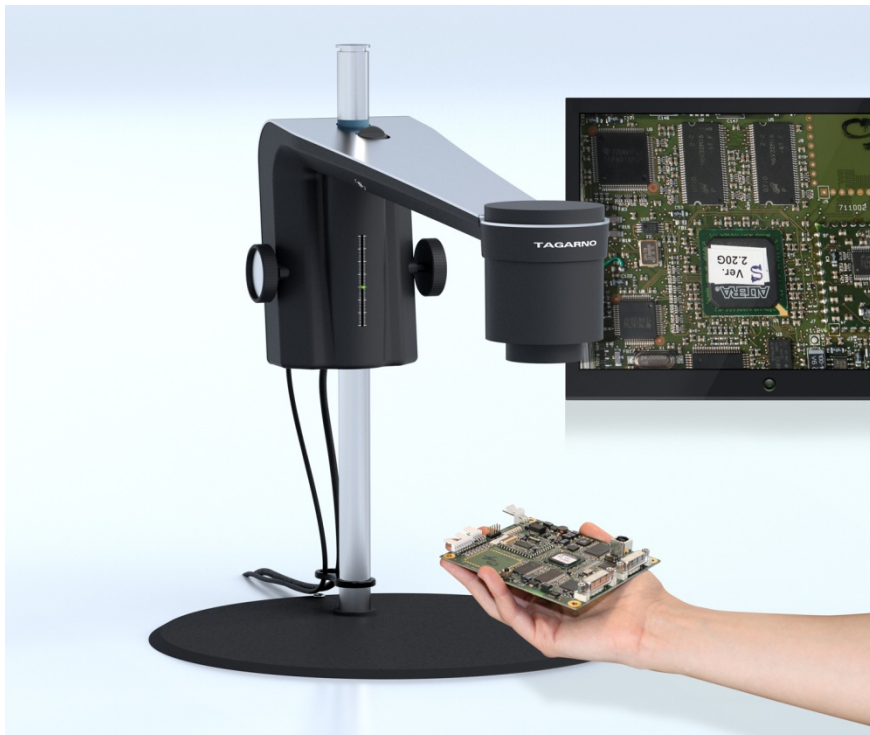
Documentation



MAGNUS HD TREND

Superb Image quality

Experience excellent image quality.
With HD you get an extremely sharp image with unsurpassed color rendition



TAGARNO
seeing solutions



MAGNUS HD TREND

Features

MAGNUS HD TREND is easy to position in the right height, as it is equipped with:

Button for quick initial adjustment

Wheels for ultrafine height adjustment in 1/100 mm.



Images can be captured with a single click and stored directly on an SD card - so no need for PC connection.



Camera can be tilted 45 degrees, allowing the operator to inspect at various angles with as little contact with the item as possible



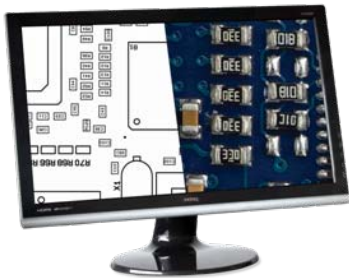
MAGNUS HD TREND

Documentation and operation



With MAGNUS HD TREND, your documentation work is made easy with following features:

Split Screen for comparative viewing



This feature enables you to look at a reference object or technical document on your PC and compare it to the inspection object under the camera

Display of magnification degree



The visible magnification degree ensures you always know the current magnification degree when inspecting your objects

MAGNUS HD TREND

Working better and safer



With MAGNUS HD TREND you can position the screen and the control boxes independently and if you prefer inline work, you can place the screen on a flexible arm above the camera to obtain a vertical work place in front of you



Foot switch allows you to stand up and control the magnification



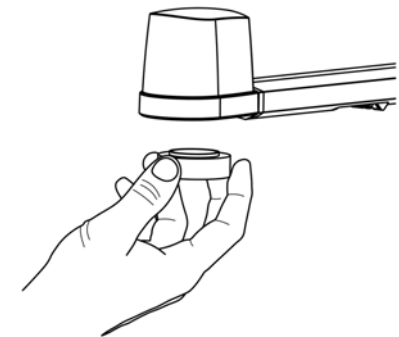
TAGARNO
seeing solutions

MAGNUS HD TREND

Table of Functions and Compatibility



MAGNUS HD TREND	Lenses	Distance	Calibration (measurement software)		Laser Diode
			MILLI	MICRO	
Magnification 22" monitor	ø58 mm ø37 mm	Lens to object distance	MILLI	MICRO	
2.2x-41.0x	+4 (ø58)	248.9 mm	Yes	Yes	Yes
2.8x-52.0x	+5 (ø58)	200.7 mm	Yes	Yes	Yes
6.0x – 101x	+10 (ø58)	99 mm	Yes	Yes	-
13.6x – 249x	+25(ø37)	40.6 mm	Yes	-	-
17.7x – 322x	+32 (ø37)	30.5 mm	Yes	-	-



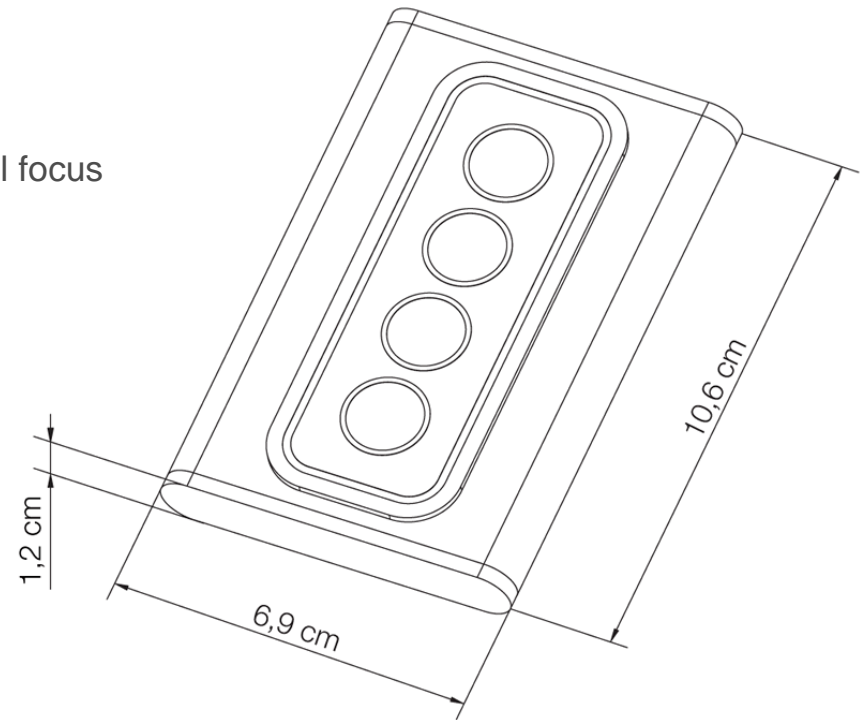
MAGNUS HD TREND

XLINK – technical specifications



Dimensions: H: 1.2 cm, W: 6.9 cm, D: 10.6 cm

Functions: Zoom with auto focus and manual focus



MAGNUS HD TREND

XPRO – technical specifications



Dimensions:

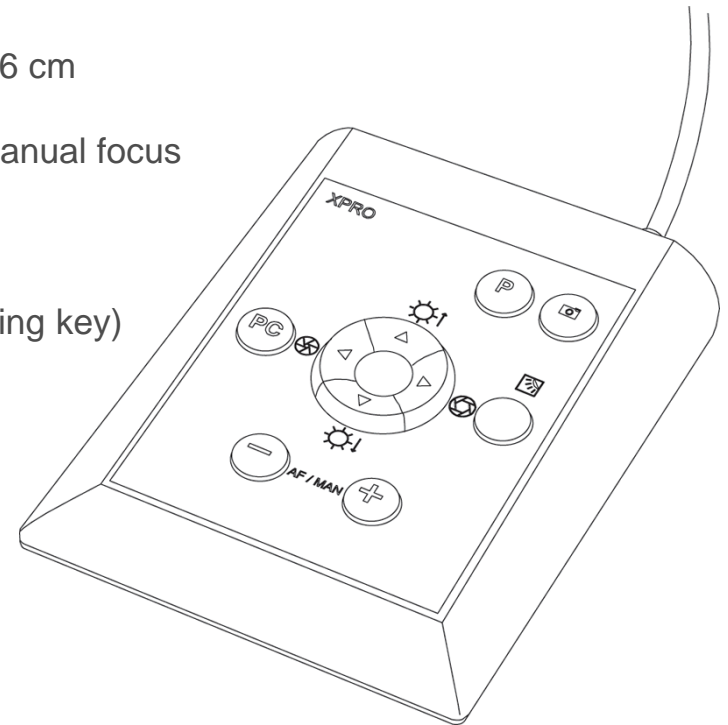
H: 1.2 cm, W: 6.9 cm, D: 10.6 cm

Functions:

Zoom with auto-focus and manual focus
Snapshot function
Iris and Gain adjustment
Split screen function
Memory function (programming key)
White balance adjustment

Field of view at min. zoom: 22 mm (+4 lens)

Field of view at max. zoom: 220 mm (+4 lens)



MAGNUS HD TREND

Measurement software requirements



PC Hardware

At least one available USB 2.0 port

Graphic card with DVI-D or HDMI output

Resolution 1280x720 60Hz (required for split-screen function)

Supported operative systems

Windows 2000 (32 + 64bit)

Windows XP (32 + 64 bit)

Windows Vista (32 + 64 bit)

Windows 7 (32 + 64 bit)

PC software

Microsoft .NET framework 2.0 (or later)

Microsoft Outlook XP 2003 or 2007 (required for mail-function)

Primary Interop Assembly (PIA) for Microsoft Office

MAGNUS HD TREND

Accessories

HD widescreen monitors (19", 22" and 24")

Lenses, +3, +4, +5, +10, +25, +32

XY tables

Circular tilting table

Height adjustable table

Control boxes

Foot switch

Lighting

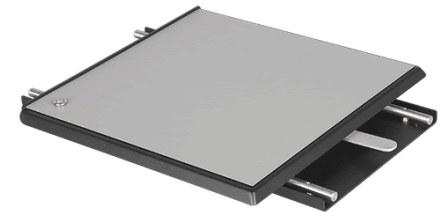
Mounting arm for monitor

Table and wall holder for monitor arm

Keyboard holder

Aluminum case for transport

Cleaning kit





Please visit www.tagarno.com for further information
or contact your local TAGARNO dealer